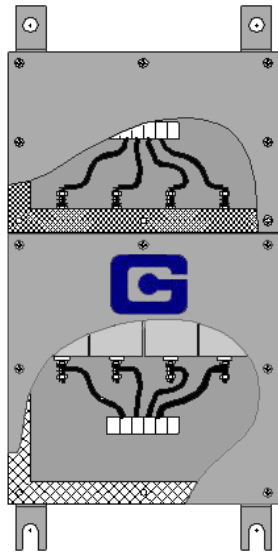


PRODUCT DETAIL

To contact us-
Call: (858) 565-7405
Email: sales@genisco.com

Signal Line Filter Assemblies–

GFP57521 (2 to 6 Dual Circuit Filters)



GFP57521

Applicable Specifications

- MIL-PRF-15733
EMI/RFI Filter Specification, Military
- MIL-F-18327
General EMI/RFI Filter Specification,
Military
- MIL-STD-220A
Test methods for insertion loss,
military
- MIL-STD-285
Test method for shielding
effectiveness

Special Features

Filters

- Over 100 signal line filter types are available for telephone, fire alarm, data, communications and control application
- Manufactured and tested to the applicable portions of MIL-PRF-15733
- Hermetically sealed for high reliability
- Different filter types are interchangeable in the same enclosure
- Single, Dual, or Multi-circuit arrangements to 5.0 Amp available
- 100 dB up to 10 GHz per MIL-STD-220A

Enclosure

- 5 standard enclosures holding from 2 to 6 signal line filters
- Modified NEMA type enclosures with wall or floor mounting
- Pre-wired push pin terminal blocks or 8-32 screw terminations
- EMI gaskets to insure 100 dB shielding effectiveness per MIL-STD-285, NSA and TEMPEST Requirements
- Front cover access to filters and standoffs

Available Options

- Various Impedances
- Standard Baud Rates
- Special Response Curves
- MOV and Surge Arrestors Available for EMP
- Hub or Penetration Installation



ORDER INFORMATION

To contact us-
Call: (858) 565-7405
Email: sales@genisco.com

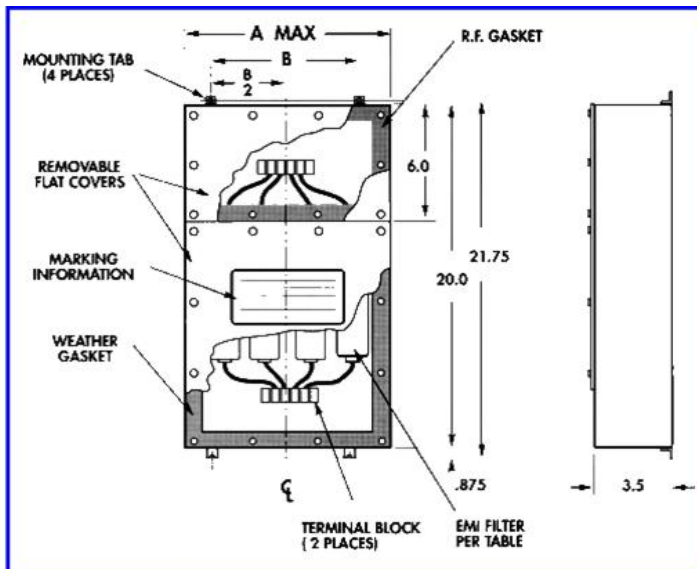
Signal Line Filter Assemblies - GFP57521 Series (2 to 6 Dual Circuit Filters)

TABLE I

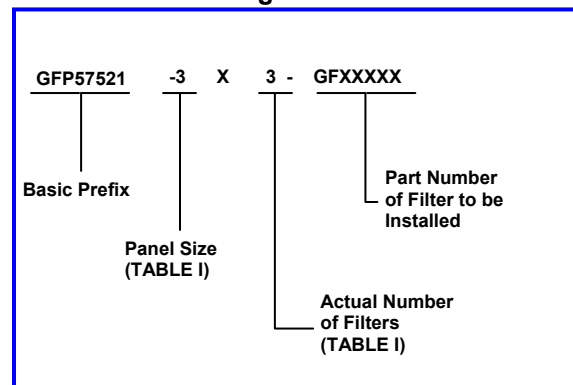
| Dash Number | Max Number of Filters (Dual Circuit)- | A | B |
|-------------|---------------------------------------|------|-------|
| 1 | 2 | 6.0 | 4.50 |
| 2 | 3 | 7.5 | 6.00 |
| 3 | 4 | 9.0 | 7.50 |
| 4 | 5 | 10.5 | 9.00 |
| 5 | 6 | 12.0 | 10.50 |

Dimensions are in inches

Mechanical Dimensions



Ordering Information



Specifications subject to change without notice